


Zero Deadleg T Valve, pneumatically operated, stainless steel block material

- Fully integrated in Burkert's Process Control Systems
- Zero dead volume
- Monoblock – no welds
- Quality certifications 

Type 2032 can be combined with...



Type 8691

Control head



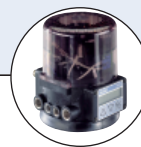
Type 8690

Pneum. control unit
with feedback



Type 1062

Electrical position
feedback



Type 8630

Positioner Top-
Control continuous



Stroke limitation

Min./max. stroke
limitation



Type 6012

Pilot valve

The Burkert Zero Deadleg T Valve system is designed for control of ultra pure, sterile, aggressive or abrasive fluids. Enables especially optimal sampling, draining or diverting of critical process fluids. The valve body is machined from a single piece of block material (monoblock – no weld seam).

The high quality diaphragms separate hermetically critical fluids from the actuator. The pneumatic actuator can be controlled by pneumatic pilot valves (single pilot valves, valve islands and control heads). Control function A, normally closed by spring return.

| Technical data | | | |
|--|---|------------------------|-------------------------|
| Orifice | DN 4-100 | | |
| Body materials | <ul style="list-style-type: none"> ▪ Stainless steel 1.4435 / 316 L ▪ Stainless steel 1.4435BN2 / ASME BPE Fe < 0.5% / C ≤ 0.03% | | |
| Diaphragm materials | EPDM, PTFE/EPDM, advanced PTFE/EPDM, FKM | | |
| Actuator materials | PPS, PA | | |
| Pilot air ports | Stainless steel 1.4305 | | |
| Surface finish | Ra [µm] internal | Ra [µlnch] internal | Ra [Grit #] internal |
| mechanical polished | 0.6 | 25 | 180 |
| electro polished | 0.6 | 25 | 180 |
| mirror finished | 0.25 | 10 | 330 |
| Medium temperatures EPDM, PTFE/EPDM, advanced PTFE/EPDM ¹⁾ FKM | -10 to +130°C (briefly up to +150°C for steam sterilisation) -10 to +130°C | | |
| Ambient temperature Actuator size < 100 mm Actuator size 100-125 mm Actuator size ≥ 175 mm | +5° to +140°C +5° to +90°C (briefly up to +140°C) -10° to +50°C | | |
| Control medium | Neutral gases; air | | |
| Pilot pressure max. | max. 7 bar, see table on p. 2 | | |
| Port connections | | | |
| Weld end acc. to | EN ISO 1127 / ISO 4200, DIN 11850 Series 0 to 3, SMS 3008, ASME BPE, BS 4825 | | |
| Clamp acc. to | ISO 2852, ASME BPE, DIN 32676 | | |
| Installation for selfdraining operation | Actuator inclined 3 to 5° downwards | | |

¹⁾ Advanced PTFE/EPDM is recommended for sterilization cycle

Content



Valve specifications

Type 2032

Technical data & ordering info. p. 1-8



System spec. On/Off Classic

Type 8801/8803-TA

Ordering info. & technical data

p.9-12

Request for quotation

Type 8801/8803-TA

p. 13

Technical data, continued

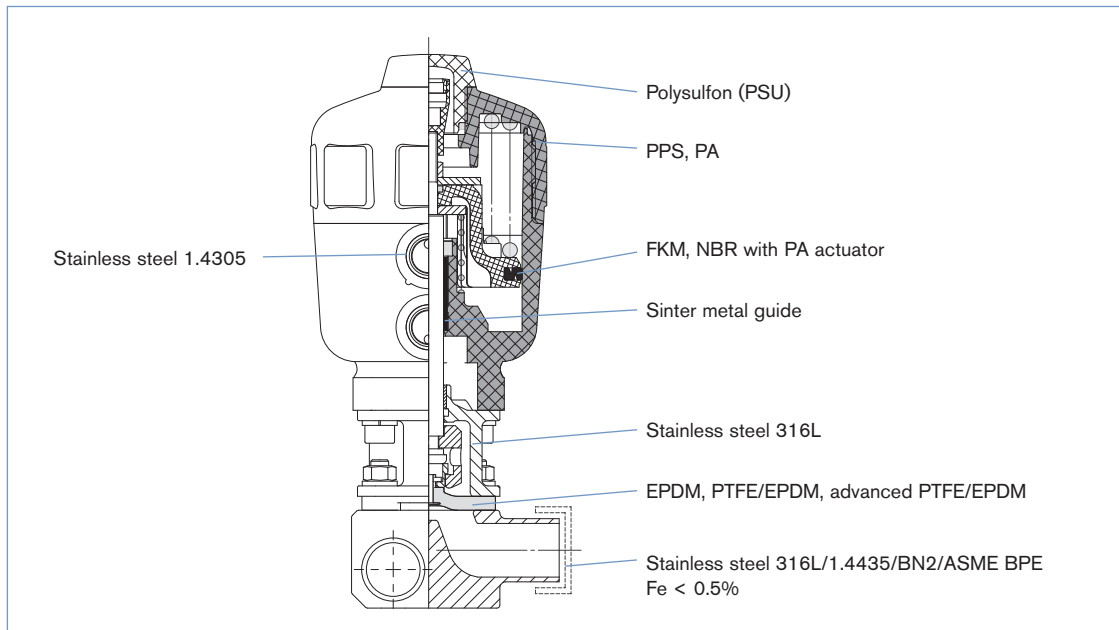
| Orifice DN diaphragm [mm] | Actuator size Ø [mm] | Kv-value water [m ³ /h] | Pilot pressure [bar] | Max. operating pressure (medium) for seal material | |
|---------------------------|----------------------|------------------------------------|----------------------|--|-------------------------------------|
| | | | | EPDM, FKM [bar] | PTFE/EPDM, advanced PTFE/EPDM [bar] |
| 4/6 | 40 | 1.0 | 5.0-7 | 10 | 10 |
| 8 | 40 | 1.0 | 5.0-7 | 10 | 10 |
| 15 | 50 | 4.0 | 5.0-7 | 8.5 | 5 |
| | 63 | 4.5 | 5.0-7 | 10 | 10 |
| 20 | 63 | 7.0 | 5.5-7 | 10 | 5 |
| | 80 | 7.5 | 5.0-7 | 10 | 10 |
| 25 | 63 | 12.0 | 5.0-7 | 3 | – |
| | 80 | 12.0 | 5.5-7 | 10 | 7.5 |
| 40 | 100 | 30.0 | 5.5-7 | 6.5 | 6 |
| | 125 | 30.5 | 5.5-7 | 10 | 10 |
| 50 | 100 | 51.5 | 5.5-7 | 4.5 | 2.5 |
| | 125 | 51.5 | 5.5-7 | 8 | 7 |
| 80 | 225 | 160.0 | 5.0-6 | 10 | 10 |
| 100 | 225 | 235 | 5.0-6 | 8 | 4 |

Approvals/certifications

- Certification of Conformity for Raw Material EN-ISO 10204 3.1
- Attestation of compliance with the order EN-ISO 10204 2.1
- Test report EN-ISO 10204 2.2
- 3A Certification on request
- Certification of Conformity for Pickling and Electropolishing Processes
- Certification of Conformity for the Surface Quality DIN4762-DIN4768-ISO/4287/1
- Attestation of compliance with FDA CFR No. 21.177.1550 for PTFE/EPDM and advanced PTFE/EPDM and 21.177.2600 for EPDM
- USP CLASS VI certification for EPDM and PTFE diaphragm
- Test Certification and Conformity Certification for the Final Assembly of Diaphragm Valves
- ISO 9001 Certification

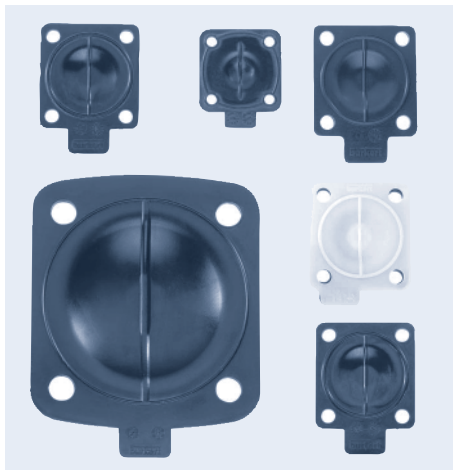
Note: Retrospective manufacturing certification for process diaphragm valves can not be made, therefore please notify when ordering.

Materials



Example of available diaphragm materials

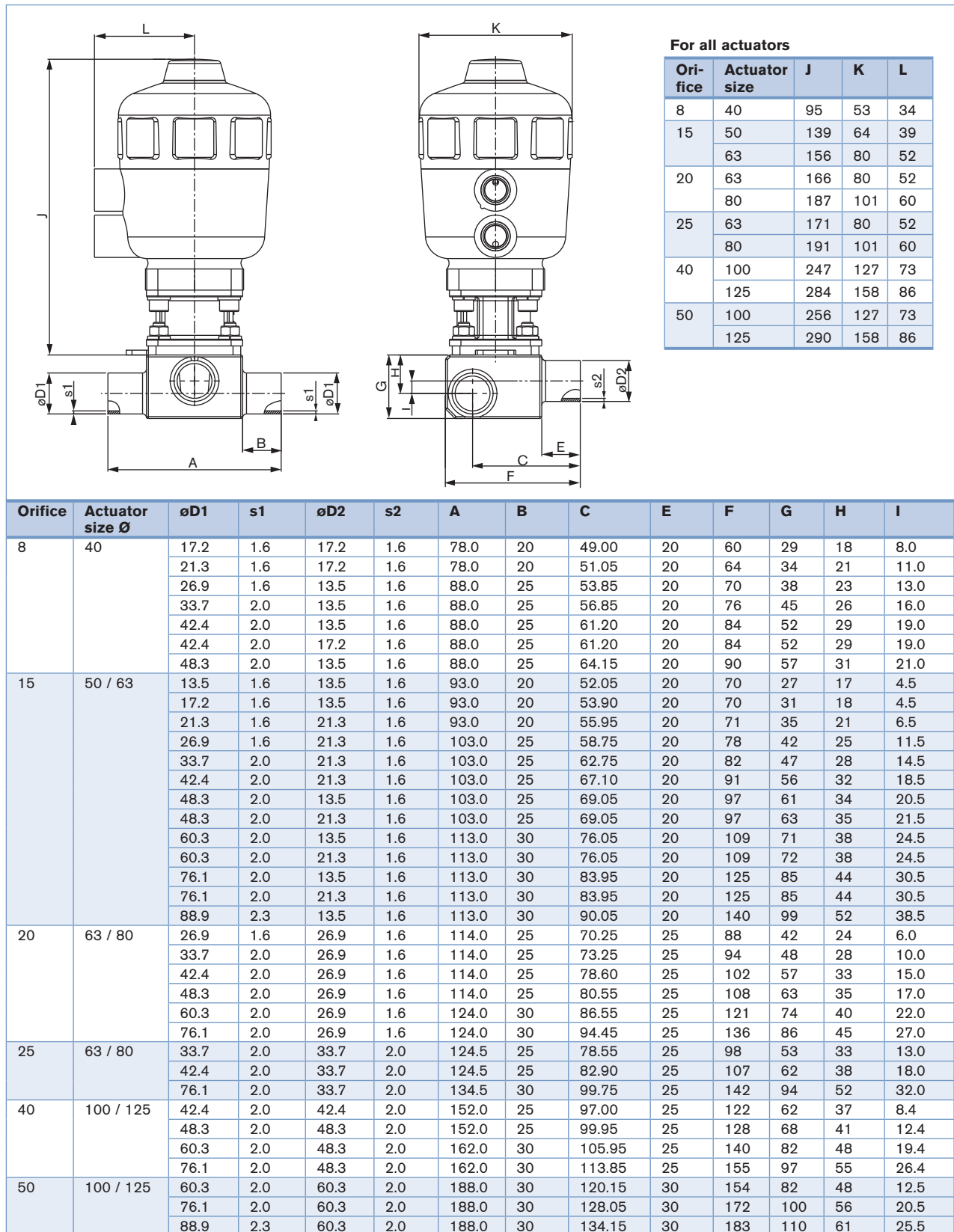
Developed to handle the unique challenges of hygienic and sterile applications, Bürkert offers diaphragms with precise material formula and physical tolerances. Bürkert diaphragms are available in a wide range of materials which have been proven in food & beverage, biotechnology, pharmaceutical and cosmetic industry applications. Diaphragms are tested during development and production to ensure reliability in critical processing environments.



- EPDM (Ethylene Propylene Rubber)
- PTFE/EPDM
- advanced PTFE/EPDM
- FKM
- PTFE/FKM
- NBR

Dimensions [mm]

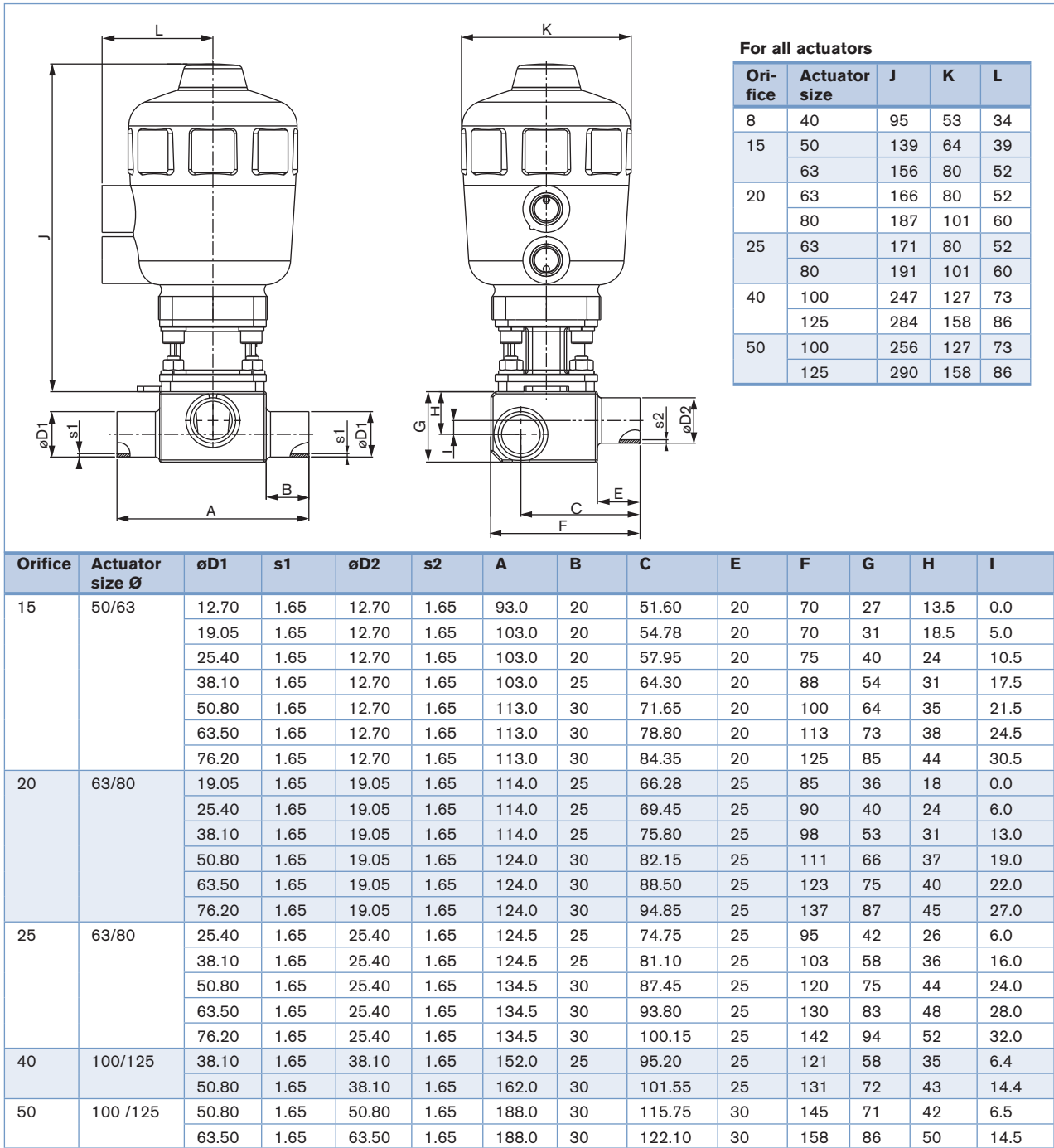
Welded body acc. to EN ISO 1127/ISO 4200



DTS 1000011282 EN Version: L Status: RL (released | freigegeben | valide) printed: 20.01.2015

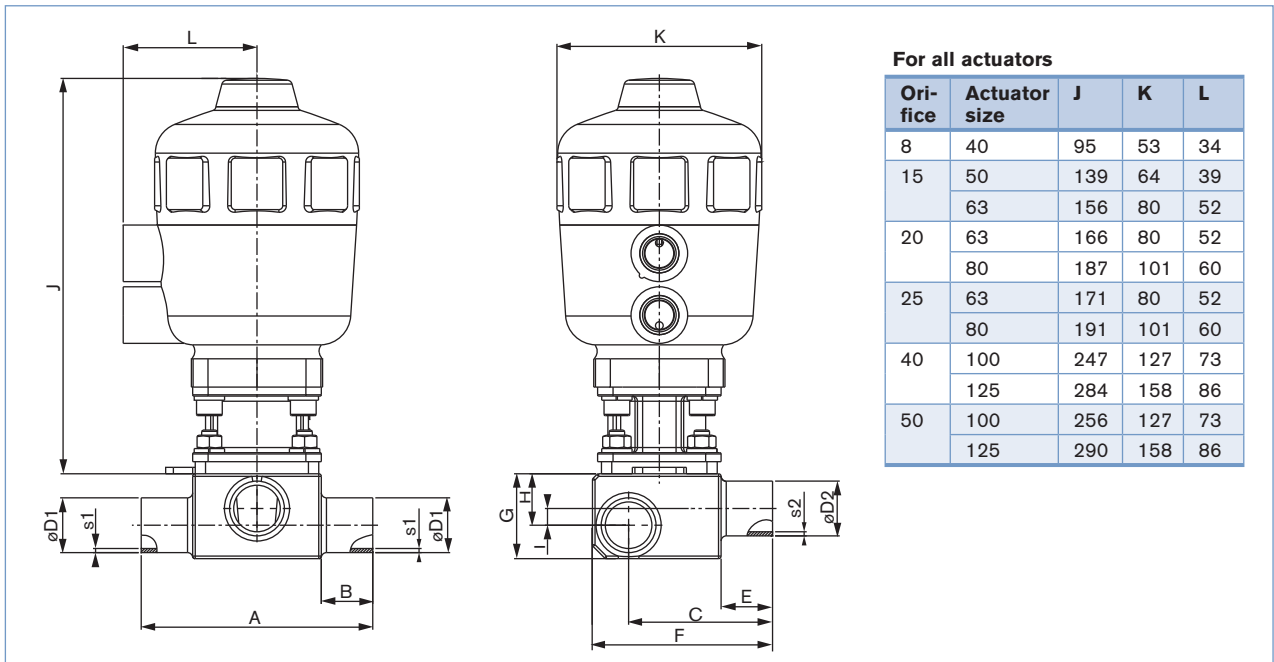
Dimensions [mm], continued

Welded body acc. to ASME BPE



Dimensions [mm], continued

Welded body acc. to DIN 11850 Series 0 and 2



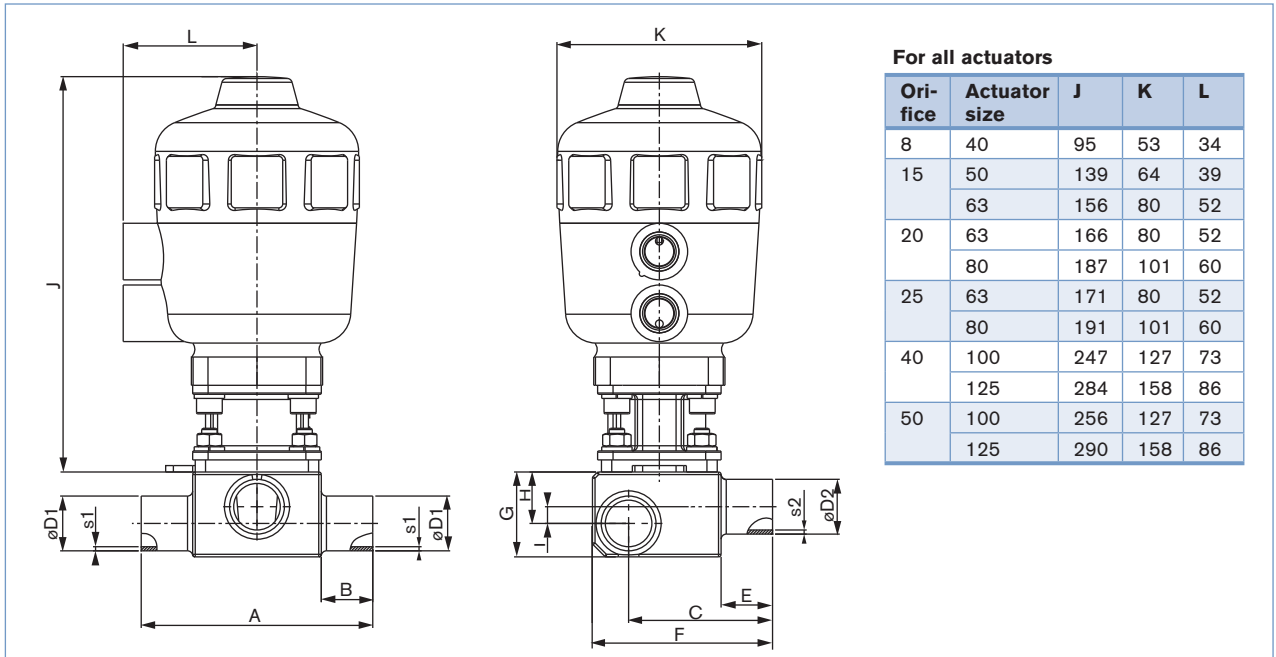
For all actuators

| Orifice | Actuator size | J | K | L |
|---------|---------------|-----|-----|----|
| 8 | 40 | 95 | 53 | 34 |
| 15 | 50 | 139 | 64 | 39 |
| | 63 | 156 | 80 | 52 |
| 20 | 63 | 166 | 80 | 52 |
| | 80 | 187 | 101 | 60 |
| 25 | 63 | 171 | 80 | 52 |
| | 80 | 191 | 101 | 60 |
| 40 | 100 | 247 | 127 | 73 |
| | 125 | 284 | 158 | 86 |
| 50 | 100 | 256 | 127 | 73 |
| | 125 | 290 | 158 | 86 |

| Orifice | Actuator size Ø | øD1 | s1 | øD2 | s2 | A | B | C | E | F | G | H | I |
|-----------------|-----------------|------|-----|------|-----|-------|----|-------|----|-----|----|------|------|
| Series 0 | | | | | | | | | | | | | |
| 08 | 40 | 10.0 | 1.0 | 10.0 | 1.0 | 78.0 | 20 | 43.0 | 20 | 60 | 17 | 6.5 | 0.0 |
| | | 40.0 | 1.5 | 6.0 | 1.0 | 88.0 | 25 | 60.5 | 20 | 83 | 51 | 29 | 19.0 |
| | | 40.0 | 1.5 | 10.0 | 1.0 | 88.0 | 25 | 60.5 | 20 | 83 | 51 | 29 | 19.0 |
| | | 52.0 | 1.5 | 6.0 | 1.0 | 98.0 | 30 | 66.5 | 20 | 95 | 60 | 32 | 22.0 |
| 25 | 63/80 | 28.0 | 1.5 | 28.0 | 1.5 | 124.5 | 25 | 76.2 | 25 | 95 | 46 | 29 | 9.0 |
| | | 52.0 | 1.5 | 28.0 | 1.5 | 134.5 | 30 | 88.2 | 25 | 117 | 71 | 42 | 22.0 |
| 40 | 100/125 | 28.0 | 1.5 | 34.0 | 1.5 | 152.0 | 25 | 90.3 | 25 | 122 | 58 | 32 | 3.4 |
| | | 52.0 | 1.5 | 34.0 | 1.5 | 162.0 | 30 | 102.3 | 25 | 132 | 75 | 45 | 16.4 |
| 50 | 100/125 | 52.0 | 1.5 | 52.0 | 1.5 | 188.0 | 30 | 116.5 | 30 | 147 | 73 | 43 | 7.5 |
| Series 2 | | | | | | | | | | | | | |
| 15 | 50/63 | 19.0 | 1.5 | 19.0 | 1.5 | 93.0 | 20 | 54.9 | 20 | 70 | 33 | 20 | 6.5 |
| | | 23.0 | 1.5 | 19.0 | 1.5 | 103.0 | 20 | 56.9 | 20 | 72 | 37 | 22.5 | 8.5 |
| | | 35.0 | 1.5 | 19.0 | 1.5 | 103.0 | 25 | 62.9 | 20 | 84 | 50 | 29 | 14.5 |
| | | 41.0 | 1.5 | 19.0 | 1.5 | 103.0 | 25 | 65.9 | 20 | 91 | 56 | 32 | 18.5 |
| 20 | 63/80 | 23.0 | 1.5 | 23.0 | 1.5 | 114.0 | 25 | 68.4 | 25 | 88 | 42 | 21 | 3.0 |
| | | 35.0 | 1.5 | 23.0 | 1.5 | 114.0 | 25 | 74.4 | 25 | 95 | 50 | 29 | 11.0 |
| | | 41.0 | 1.5 | 23.0 | 1.5 | 114.0 | 25 | 77.4 | 25 | 101 | 56 | 32 | 14.0 |
| 25 | 63/80 | 29.0 | 1.5 | 29.0 | 1.5 | 124.5 | 25 | 76.7 | 25 | 98 | 48 | 30 | 10.0 |
| 40 | 100/125 | 41.0 | 1.5 | 41.0 | 1.5 | 152.0 | 25 | 96.8 | 25 | 121 | 62 | 37 | 8.4 |
| 50 | 100/125 | 53.0 | 1.5 | 53.0 | 1.5 | 188.0 | 30 | 117.0 | 30 | 147 | 74 | 44 | 8.5 |

Dimensions [mm], continued

Welded body acc. to SMS 3008



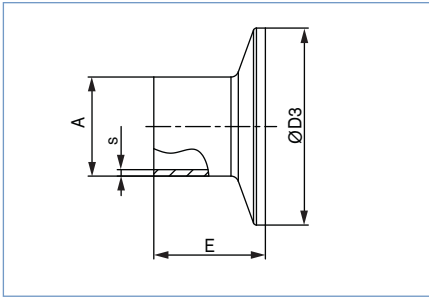
For all actuators

| Orifice | Actuator size | J | K | L |
|---------|---------------|-----|-----|----|
| 8 | 40 | 95 | 53 | 34 |
| 15 | 50 | 139 | 64 | 39 |
| | 63 | 156 | 80 | 52 |
| 20 | 63 | 166 | 80 | 52 |
| | 80 | 187 | 101 | 60 |
| 25 | 63 | 171 | 80 | 52 |
| | 80 | 191 | 101 | 60 |
| 40 | 100 | 247 | 127 | 73 |
| | 125 | 284 | 158 | 86 |
| 50 | 100 | 256 | 127 | 73 |
| | 125 | 290 | 158 | 86 |

| Orifice | Actuator size Ø | øD1 | s1 | øD2 | s2 | A | B | C | E | F | G | H | I |
|---------|-----------------|------|-----|------|-----|-------|----|-------|----|-----|----|----|------|
| 25 | 63/80 | 25.0 | 1.2 | 25.0 | 1.2 | 124.5 | 25 | 75.0 | 25 | 95 | 43 | 27 | 7.0 |
| | | 38.0 | 1.2 | 25.0 | 1.2 | 124.5 | 25 | 81.5 | 25 | 105 | 59 | 36 | 16.0 |
| | | 51.0 | 1.2 | 25.0 | 1.2 | 134.5 | 30 | 88.0 | 25 | 118 | 72 | 42 | 22.0 |
| 40 | 100/125 | 38.0 | 1.2 | 38.0 | 1.2 | 152.0 | 25 | 95.6 | 25 | 121 | 58 | 35 | 6.4 |
| | | 51.0 | 1.2 | 38.0 | 1.2 | 162.0 | 30 | 102.1 | 25 | 131 | 73 | 44 | 15.4 |
| 50 | 100/125 | 51.0 | 1.2 | 51.0 | 1.2 | 188.0 | 30 | 116.3 | 30 | 147 | 73 | 43 | 7.5 |

Dimensions [mm], continued

Clamp body



ASME BPE

| Orifice | | A | s | D3 | E |
|---------|--------|-------|------|-------|------|
| [mm] | [inch] | | | | |
| 08 | 1/4" | 6.35 | 0.89 | 25.0 | 28.6 |
| 10 | 3/8" | 9.53 | 0.89 | 25.0 | 28.6 |
| 15 | 1/2" | 12.7 | 1.65 | 25.0 | 28.6 |
| 20 | 3/4" | 19.05 | 1.65 | 25.0 | 28.6 |
| 25 | 1" | 25.4 | 1.65 | 50.5 | 28.6 |
| 40 | 1 1/2" | 38.1 | 1.65 | 50.5 | 28.6 |
| 50 | 2" | 50.8 | 1.65 | 64.0 | 28.6 |
| 65 | 2 1/2" | 63.5 | 1.65 | 77.5 | 28.6 |
| 80 | 3" | 76.2 | 1.65 | 91.0 | 28.6 |
| 100 | 4" | 101.6 | 2.11 | 119.0 | 28.6 |

DIN 32676

| Orifice [mm] | A | s | D3 | E |
|--------------|-----|------|------|------|
| 10 | 1.5 | 34.0 | 18 | 18 |
| 15 | 19 | 1.5 | 34.0 | 18 |
| 20 | 23 | 1.5 | 34.0 | 18 |
| 25 | 29 | 1.5 | 50.5 | 21.5 |
| 32 | 35 | 1.5 | 50.5 | 21.5 |
| 40 | 41 | 1.5 | 50.5 | 21.5 |
| 50 | 53 | 1.5 | 64.0 | 21.5 |
| 65 | 70 | 2.0 | 91.0 | 28 |

ISO 2852 for pipe ISO 4200

| Orifice [mm] | A | s | D3 | E |
|--------------|-------|-----|-------|------|
| 8 | 13.5 | 1.6 | 25.0 | 28.6 |
| 8 | 13.5 | 1.6 | 34.0 | 28.6 |
| 10 | 17.2 | 1.6 | 34.0 | 28.6 |
| 15 | 21.3 | 1.6 | 34.0 | 28.6 |
| 15 | 21.3 | 1.6 | 50.5 | 28.6 |
| 20 | 26.9 | 1.6 | 50.5 | 28.6 |
| 25 | 33.7 | 2 | 50.5 | 28.6 |
| 32 | 42.4 | 2 | 50.5 | 28.6 |
| 40 | 48.3 | 2 | 64.0 | 28.6 |
| 50 | 60.3 | 2 | 77.5 | 28.6 |
| 65 | 76.1 | 2 | 91.0 | 28.6 |
| 100 | 114.3 | 2.3 | 130.0 | 28.6 |

SMS

| Orifice [mm] | A | s | D3 | E |
|--------------|----|-----|------|------|
| 25 | 25 | 1.2 | 50.5 | 21.5 |
| 40 | 38 | 1.2 | 50.5 | 28.6 |
| 50 | 51 | 1.2 | 64.0 | 28.6 |

Ordering information for valve system On/Off Classic Type 8801-TA/8803-TA

A valve system On/Off Classic Type 8801-TA/8803-TA consists of a T valve Type 2032 and a valve actuation system control head Type 8691, a pneumatic control unit Type 8690 or an electrical position feedback Type 1062 (see separate datasheets).

For the configuration of further valve systems please use the "Request for quotation" on p. 13 [go to page](#)

You order two components and receive a complete assembled and certified valve.

Ordering the valve system On/Off Classic Type 8801-TA/8803-TA

T valve Type 2032



Control units



T valve with
desired control unit



Valve system On/Off Classic
Type 8801-TA-H
2032 + 8691



Valve system On/Off Classic
Type 8801-TA-K
2032 + 8690



Valve system On/Off Classic
Type 8803-TA
2032 + 1062

When you click on the orange box "More info." below, you will come to our website for the resp. product where you can download the datasheet.

Control head Type 8691



More info.

The new generation of integrated control heads for combination with actuators from the process valve series Type 20xx/21xx is specially designed for the requirements of hygienic process environments. The intelligent control head, Type 8691, detects the valve position by means of a contact-free analog position sensor circumventing excessive wear of mechanical parts. Single or double-acting actuators are controlled via the integral pilot valve. Communication interfaces AS-Interface and DeviceNet are available as options.

Main customer benefits:

- Automatic setting of the control head at the push of a button
- Even under dirty or dark environments, a clearly visible status display due to powerful LEDs
- Monitoring and diagnosis: Process valve systems with field bus interface used in modern plant processes
- Integrated pilot valve with manual actuation
- Air intake filter enhances the process valve system availability
- Simple and reliable actuator adaptations allowing additional actuators of the process valve series, Type 20xx or actuators from other manufacturers to be used

Pneumatic control unit
Type 8690



More info.

The new generation of integrated controllers for combination with actuators from the process valve series Type 20xx/21xx is specially designed for the requirements of hygienic process environments. The pneumatic control unit Type 8690 combines electrical position feedback and pneumatic control for single or double-acting actuators, and is also optionally available as an intrinsically safe model to ATEX.

Main customer benefits:

- Integrated pilot valve with manual actuation
- Air intake filter enhances the process valve system availability
- Simple and reliable actuator adaptations allowing additional actuators of the process valve series, Type 20xx or actuators from other manufacturers to be used

Electrical position feedback
Type 1062



More info.

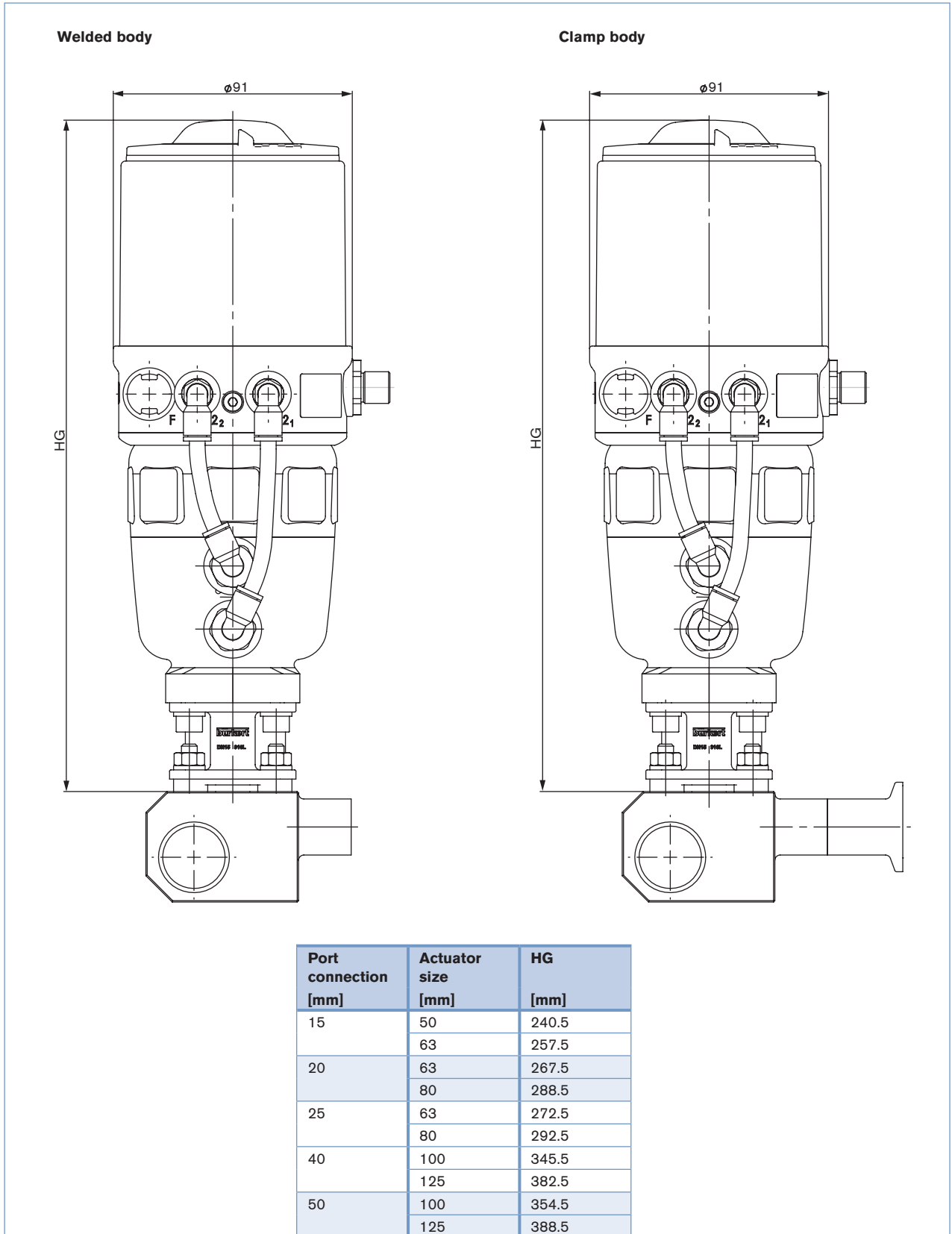
Positions are electrically signaled according to switch type:

- open,
- closed or
- open and closed.

LEDs provide optical position indication (except for Namur Ex-version). Mechanical or inductive switches are housed in a compact splash-proof enclosure. The position indicator can be rotated 360° and is easily fitted to the valve. Trip cams do not require adjustment. The unit only needs to be screwed on and connected to be ready for operation.

Dimensions for valve system On/Off Classic Type 8801-TA-H [mm]

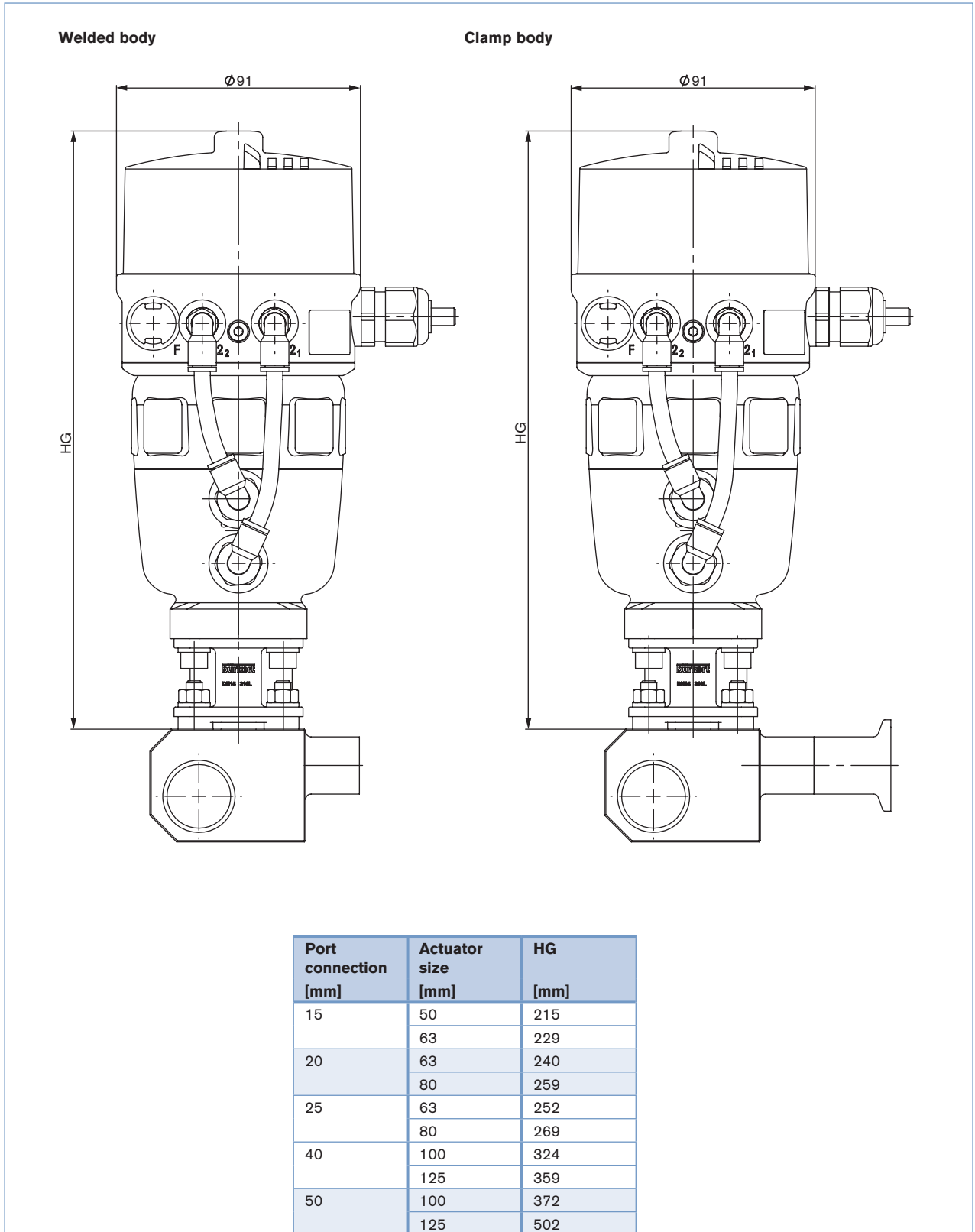
Dimensions valve system On/Off Classic Type 8801-TA-H with control head Type 8691 [mm]



Further dimensions see p. 4-8

Dimensions for valve system On/Off Classic Type 8801-TA-K [mm]

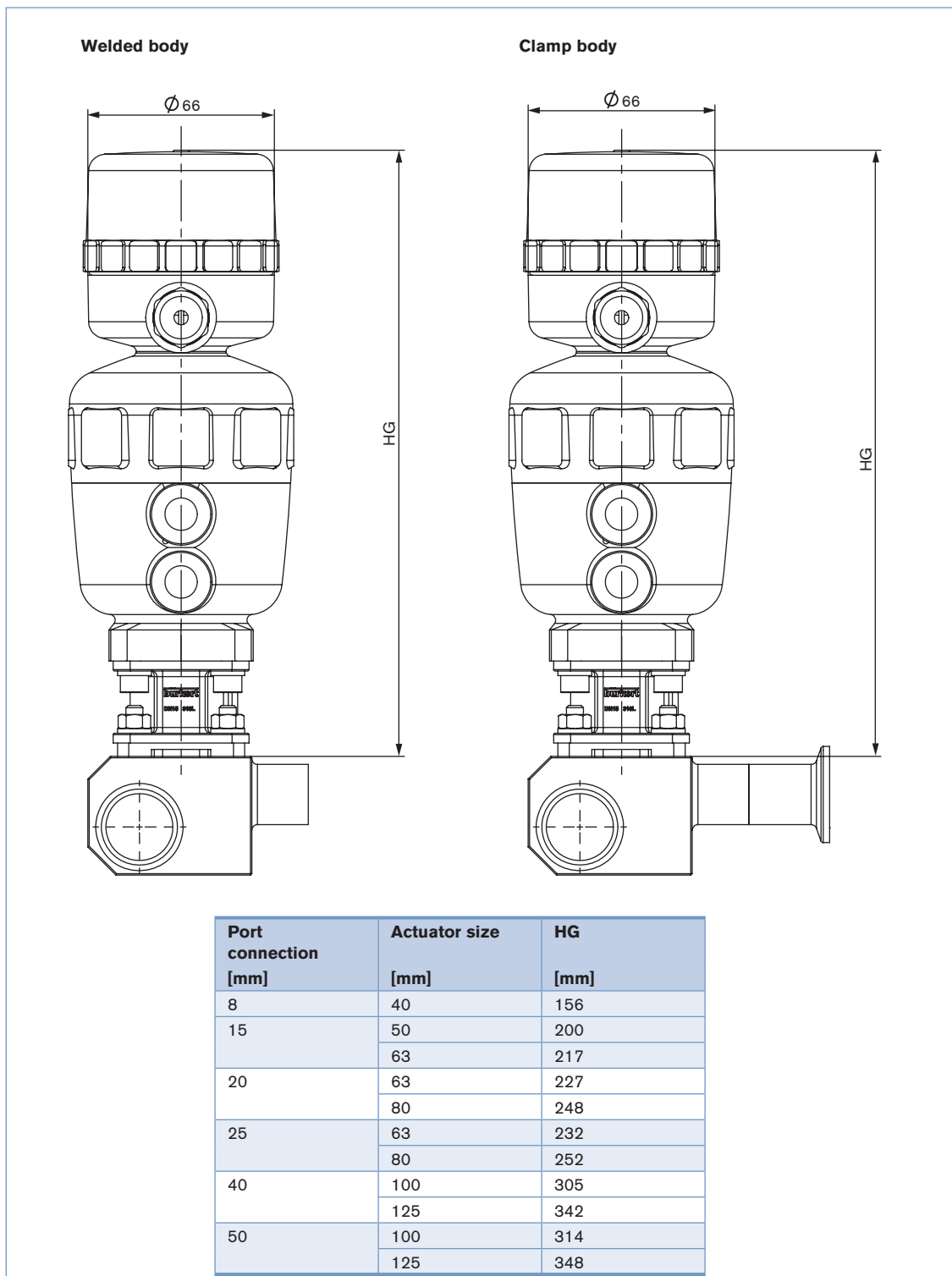
Dimensions valve system On/Off Classic Type 8801-TA-K with pneumatic control unit Type 8690 [mm]



Further dimensions see p. 4-8

Dimensions for valve system On/Off Classic Type 8803-TA [mm]

Dimensions valve system On/Off Classic Type 8803-TA with electrical position feedback Type 1062 [mm]



Further dimensions see p. 4-8

You can fill out the fields directly in the PDF file before printing out the form.

Valve system On/Off Classic Type 8801-TA/8803-TA – request for quotation

Please fill out and send to your nearest Bürkert facility* with your inquiry or order

| | |
|---------------|----------------|
| Company | Contact person |
| Customer no. | Department |
| Address | Tel./Fax |
| Postcode/town | E-Mail |

= mandatory fields to fill out

Quantity

Required delivery date

Operating data

| | | | | |
|---|---------------------------------|--------------------------------|------------------------------|----------------------|
| Pipe dimensions | Main tube øD1 x s1 | <input type="text"/> | Outlet tube øD2 x s2 | <input type="text"/> |
| | Clamp main tube | <input type="text"/> | Clamp outlet | <input type="text"/> |
| Pipe material | <input type="text"/> | | | |
| Surface finish Ra int. | <input type="text"/> | | | |
| Process medium | <input type="text"/> | | | |
| Type of media | <input type="checkbox"/> Liquid | <input type="checkbox"/> Steam | <input type="checkbox"/> Gas | |
| Flow rate (Q, Q _N , W) ¹⁾ | nominal | <input type="text"/> | unit | <input type="text"/> |
| Temperature at valve inlet T1 | <input type="text"/> | <input type="text"/> | | |
| Absolute pressure at valve inlet P1 | <input type="text"/> | <input type="text"/> | | |
| Absolute pressure at valve outlet P2 | <input type="text"/> | <input type="text"/> | | |
| Steam pressure Pv | <input type="text"/> | <input type="text"/> | | |

¹⁾ standard unit:
Liquid Q = m³/h;
Steam W = kg/h;
Gas Q_N = Nm³/h

Valve features

Specification key

automatically transferred from last page

go to page

| | | | | | | | | | | |
|--------------------------|--------------------------|--------------------------|--------------------------|--------------------------|--------------------------|--------------------------|--------------------------|--------------------------|--------------------------|--------------------------|
| <input type="checkbox"/> | <input type="checkbox"/> | <input type="checkbox"/> | <input type="checkbox"/> | <input type="checkbox"/> | <input type="checkbox"/> | <input type="checkbox"/> | <input type="checkbox"/> | <input type="checkbox"/> | <input type="checkbox"/> | <input type="checkbox"/> |
|--------------------------|--------------------------|--------------------------|--------------------------|--------------------------|--------------------------|--------------------------|--------------------------|--------------------------|--------------------------|--------------------------|

Control unit features

Click on the orange box "More info." below... you will come to our website for the resp. product where you can download the datasheet.

| Control head | Pneumatic control unit | Electrical position feedback |
|---|---|---|
| <input type="checkbox"/> Type 8691 More info. | <input type="checkbox"/> Type 8690 More info. | <input type="checkbox"/> Type 1062 More info. |
| Pneumatic function <input type="checkbox"/> Single-acting <input type="checkbox"/> Double-acting Pilot air ports <input type="checkbox"/> Push-in connector external ø 6 mm or 1/4" <input type="checkbox"/> Thread G 1/8" Communication <input type="checkbox"/> ASI <input type="checkbox"/> Multipol M12 <input type="checkbox"/> Flat cable clip, 1 m cable <input type="checkbox"/> DeviceNet Please specify item no. if known: <input type="text"/> | Pneumatic function <input type="checkbox"/> Single-acting <input type="checkbox"/> Double-acting <input type="checkbox"/> Without pilot valve Position feedback <input type="checkbox"/> 1x inductive <input type="checkbox"/> 2x inductive <input type="checkbox"/> 1x inductive (NAMUR) <input type="checkbox"/> 2x inductive (NAMUR) <input type="checkbox"/> 1x mechanical <input type="checkbox"/> 2x mechanical Supply voltage <input type="checkbox"/> 24 V / DC (ATEX Zone 2/22) <input type="checkbox"/> Ex ia IIC T6 (ATEX Zone 1) Pilot air ports <input type="checkbox"/> Push-in connector <input type="checkbox"/> Thread G 1/8" external ø 6 mm or 1/4" Please specify item no. if known: <input type="text"/> | Limit switches <input type="checkbox"/> mechanical <input type="checkbox"/> Voltage 12-48 V <input type="checkbox"/> Voltage 110-250 V <input type="checkbox"/> inductive <input type="checkbox"/> NAMUR EExi Status <input type="checkbox"/> closed <input type="checkbox"/> open <input type="checkbox"/> open/closed Please specify item no. if known: <input type="text"/> |

continued on next page →

* To find your nearest Bürkert facility, click on the orange box →

www.burkert.com

Valve system On/Off Classic Type 8801-TA/8803-TA – request for quotation, *cont.*

| Control unit features | |
|---|--|
| Pilot valve | Stroke limitation |
| <input type="checkbox"/> Pilot valve | <input type="checkbox"/> Stroke limitation |
| Power supply <input type="text"/> | <input type="checkbox"/> Min./max. stroke limitation , with visual position indicator |
| | <input type="checkbox"/> Max. stroke limitation , without visual position indicator |
| Please specify item no. if known: <input type="text"/> | Please specify item no. if known: <input type="text"/> |

| Certifications |
|---|
| <input type="checkbox"/> Attestation of compliance with the order EN-ISO 10204 2.1 (Item-No. 440 788) |
| <input type="checkbox"/> Test report EN-ISO 10204 2.2 (Item No. 803 722) |
| <input type="checkbox"/> Certification of Conformity for Raw Material EN-ISO 10204 3.1 (included in delivery) |
| <input type="checkbox"/> EN161 (European Gas Device guideline) |
| <input type="checkbox"/> FDA - USP certificate |

| Comment / sketch |
|------------------|
| |
| |
| |
| |
| |
| |

DTS 1000011282 EN Version: L Status: RL (released | freigegeben | valide) printed: 20.01.2015

Valve features

Example

A 15 AB B VH SA42 SA42 D E NO14

Specification key

Please make a choice

CONTROL FUNCTION

| | |
|---|----------------------------------|
| A | normally closed by spring action |
| B | normally open by spring action |
| I | double acting |

SIZE [mm]

| |
|-----|
| 4 |
| 6 |
| 8 |
| 15 |
| 20 |
| 25 |
| 40 |
| 50 |
| 80 |
| 100 |

DIAPHRAGM MATERIAL

| | |
|----|----------------------|
| AB | EPDM in food quality |
| EA | PTFE |
| FF | FKM |
| EU | advanced PTFE |

PRODUCTION OF BODY

| | |
|---|-----------|
| B | Monoblock |
|---|-----------|

BODY MATERIAL

| | |
|----|--------------------|
| VH | 1.4435/AISI 316L |
| VI | 1.4435BN2/ASME BPE |

VARIABLE CODES

Surface finish, internal

| | | |
|------|---------------------------------|----------|
| NO07 | Int. Mirror finished Ra=0.25 µm | |
| NO23 | Mechanical polished Ra=0.6 µm | standard |
| NO16 | Int. Electro polished Ra=0.6 µm | |

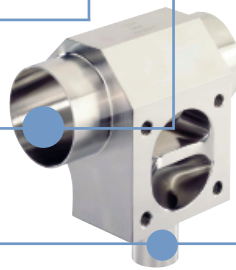
ACTUATOR SIZE ¹⁾

| | |
|---|----------|
| C | ø 40 mm |
| D | ø 50 mm |
| E | ø 63 mm |
| F | ø 80 mm |
| G | ø 100 mm |
| H | ø 125 mm |
| K | ø 175 mm |
| L | ø 225 mm |

¹⁾ for technical spec. see table, page 2

ACTUATOR MATERIAL

| | |
|---|-------------------------------------|
| C | PA (for actuator sizes ø175/225 mm) |
| D | PPS |



øD1 main tube connection

øD2 outlet tube connection

Port connection weld end

| Port conn. [mm] | EN ISO 1127/ ISO 4200 | SMS 3008 | DIN 11850 Series 0 | Series 1 | Series 2 | Series 3 | BS 4825 | ASME BPE | JIS Sanitary | JIS Utility |
|-----------------|-----------------------|----------------|--------------------|-------------|--------------|--------------|----------------|-----------------|----------------|---------------|
| 4 | - | - | SC40=6x1.0 | - | - | - | - | - | - | - |
| 6 | - | - | SC41=8x1.0 | - | - | - | - | - | - | - |
| 8 | SA40=13.5x1.6 | - | SC42=10x1.0 | - | - | - | SODB=6.35x1.2 | SA90=6.35x0.89 | SA70=13.8x1.65 | - |
| 10 | SA41=17.2x1.6 | - | - | SF40=12x1.0 | SD40=13x1.5 | SE40=14x20.0 | SODC=9.53x1.2 | SA91=9.53x0.89 | SA71=17.3x1.65 | - |
| 15 | SA42=21.3x1.6 | - | SC43=18x1.5 | SF41=18x1.0 | SD42=19x1.5 | SE42=20x2.0 | SODD=12.7x1.2 | SA92=12.7x1.65 | SA72=21.7x2.1 | - |
| 20 | SA43=26.9x1.6 | - | SC44=22x1.5 | SF42=22x1.0 | SD43=23x1.5 | SE43=24x2.0 | SODE=19.05x1.2 | SA93=19.05x1.65 | SA76=27.2x2.1 | SA80=27.2x2.1 |
| 25 | SA44=33.7x2.0 | SA60=25.0x1.2 | SC45=28x1.5 | SF43=28x1.0 | SD44=29x1.5 | SE44=30x2.0 | - | SODF=25.4x1.65 | SA73=25.4x1.2 | SA81=34x2.0 |
| 32 | SA45=42.4x2.0 | - | SC46=34x1.5 | SF44=34x1.0 | SD45=35x1.5 | SE45=36x2.0 | - | - | - | SA83=42.7x2.0 |
| 40 | SA46=48.3x2.0 | SA62=38.0x1.2 | SC47=40x1.5 | SF45=40x1.0 | SD46=41x1.5 | SE46=42x2.0 | - | SODH=38.1x1.65 | SA74=38.1x1.2 | SA83=48.6x2.0 |
| 50 | SA47=60.3x2.0 | SA63=51.0x1.2 | SC48=52x1.5 | SF46=52x1.0 | SD47=53x1.5 | SE47=54x2.0 | - | SODI=50.8x1.65 | SA75=50.8x1.5 | SA84=60.5x2.0 |
| 65 | SA48=76.1x2.0 | SA64=63.5x1.6 | - | - | SD48=70x2.0 | - | - | SODJ=63.5x1.65 | - | - |
| 80 | SA49=88.9x2.3 | SA65=76.1x1.6 | - | - | SD49=85x2.0 | - | - | SODK=76.2x1.65 | - | - |
| 100 | SA39=114.3x2.3 | SA66=101.6x2.0 | - | - | SD50=104x2.0 | - | - | SODL=101.6x2.11 | - | - |

Port connection clamp

| Port conn. [mm] | ISO 2852 SMS 3017 | ASME BPE | DIN 32676 |
|-----------------|-------------------------------------|----------------------------------|-------------------------------|
| 8 | TC51=Clamp 34 - for tube ISO 4200 | TG50=Clamp 25 - Tube 6.35x0.89 | - |
| 10 | TC41=Clamp 34 - for tube ISO 4200 | TG01=Clamp 25 - Tube 9.53x0.89 | TD41=Clamp 34 - Tube 13x1.5 |
| 15 | TC42=Clamp 34 - for tube ISO 4200 | TG02=Clamp 25 - Tube 12.7x1.65 | TD42=Clamp 34 - Tube 19x1.5 |
| 20 | TC43=Clamp 50.5 - for tube ISO 4200 | TG03=Clamp 25 - Tube 19.05x1.65 | TD43=Clamp 34 - Tube 23x1.5 |
| 25 | TC44=Clamp 50.5 - for tube ISO 4200 | TG04=Clamp 50.5 - Tube 25.4x1.65 | TD44=Clamp 50.5 - Tube 29x1.5 |
| 40 | TC46=Clamp 64 - for tube ISO 4200 | TG05=Clamp 50.5 - Tube 38.1x1.65 | TD46=Clamp 50.5 - Tube 41x1.5 |
| 50 | TC47=Clamp 77.5 - for tube ISO 4200 | TG06=Clamp 64 - Tube 50.8x1.65 | TD47=Clamp 64 - Tube 53x1.5 |
| 65 | TC48=Clamp 91 - for tube ISO 4200 | TG07=Clamp 64 - Tube 63.5x1.65 | TD48=Clamp 91 - Tube 70x2.0 |
| 80 | - | TG08=Clamp 91 - Tube 76.1x1.65 | - |
| 100 | TC50=Clamp 130 - for tube ISO 4200 | TG09=Clamp 119 - Tube 101.6x2.11 | - |

In case of special application conditions, please consult for advice.

Subject to alteration.
© Christian Bürkert GmbH & Co. KG

1309/9_EU-en_00891852